



WATERPROOF **PC**

INTEL 4-CORE 1.83GHz PROCESSOR

# Computers at the wet end? ~~Serious~~ problem!

Not a

## WATERPROOF PC

INTEL 4-CORE 1.83GHz PROCESSOR

IP67 WATERPROOF RATED PC

IP69K COMPLIANT

STAINLESS STEEL HOUSING

SEALED M12 I/O CONNECTORS

FANLESS DESIGN

LOW 6.3-WATT CONSUMPTION



## Engineered for harsh industrial environments

High levels of moisture, spray and the presence of corrosive chemicals destroy most computers and their internal components. We have witnessed many computers that are vital to the productivity fail under wet, corrosive and dusty conditions. Solutions are nearly impossible to find, but Panther Systems offers mills and other industrial facilities a one-of-a-kind solution—a completely sealed Waterproof PC.



# WATERPROOFPC

INTEL 4-CORE 1.83GHz PROCESSOR

## Built tough for your facility

The Waterproof PC is a sealed, fanless computer, which can be used in extreme conditions for a variety of applications. Its rugged and compact computer design is a rare find. The Waterproof PC is an IP67-rated stainless steel box PC and is compliant with IP69K standards. Powered by Intel's quad-core Celeron N2930 1.83GHz SoC processor, Panther's Waterproof PC has an ultra-low power consumption of 6.3 watts. For added configurability, the Waterproof PC comes with an internal mini-PCIe slot and internal SD slot (up to 32GB).



The Waterproof PC design incorporates sealed M12 input/output connectors for power, network, video and peripherals. These sealed ports, a rubber-sealed power button and the absence of a fan and internal power supply inside the thick stainless steel housing make the Waterproof PC a unique solution to the problem of computing in environments where water, corrosive chemicals and dust are prevalent.



# WATERPROOF PC

## INTEL 4-CORE 1.83GHz PROCESSOR



## Specifications

### SYSTEM

Processor	Intel Celeron N2930 quad-core
Performance	1.83GHz
Chipset	System on Chip (SoC)
Storage	2.5" SATA 2 Drive
Storage support	Internal SD slot (up to 32GB)
Memory (RAM)	4GB

### DISPLAY AND I/O PORTS

USB 2.0	2x USB 2.0 (thru shared M12 connector)
Serial	1x RS232, 1x RS232/422/485
Video	1x VGA
Ethernet	1 x RJ45 GbE
DC jack	Yes

### OPERATING SYSTEM

Versions	Windows 8.1 or Windows 7 Embedded (compatible with Windows 10 or Linux)
----------	---

### POWER

Source	9~36V DC
--------	----------

### EXPANSION

Mini PCIe	1x internal Mini-PCIe slot
-----------	----------------------------

### TEMPERATURE

Operating range	-20° to 60°C (-4° to 140°F)
Storage range	-40° to 85°C (-40° to 185°F)
Humidity range	10% to 90% @ 40°C (non-condensing)

### COOLING SYSTEM

Thermal solution	Passive/fanless
------------------	-----------------

### WEIGHT/DIMENSIONS

Weight	6.83 lbs 3.10 kg
Dimensions	9.84 x 7.87 x 2.30 in 250 x 200 x 58.60 mm

### ENCLOSURE

Material	Stainless Steel
Color	Silver
Control buttons	Power on/off
Mounting	Wall/table/shelf mount

### CERTIFICATION

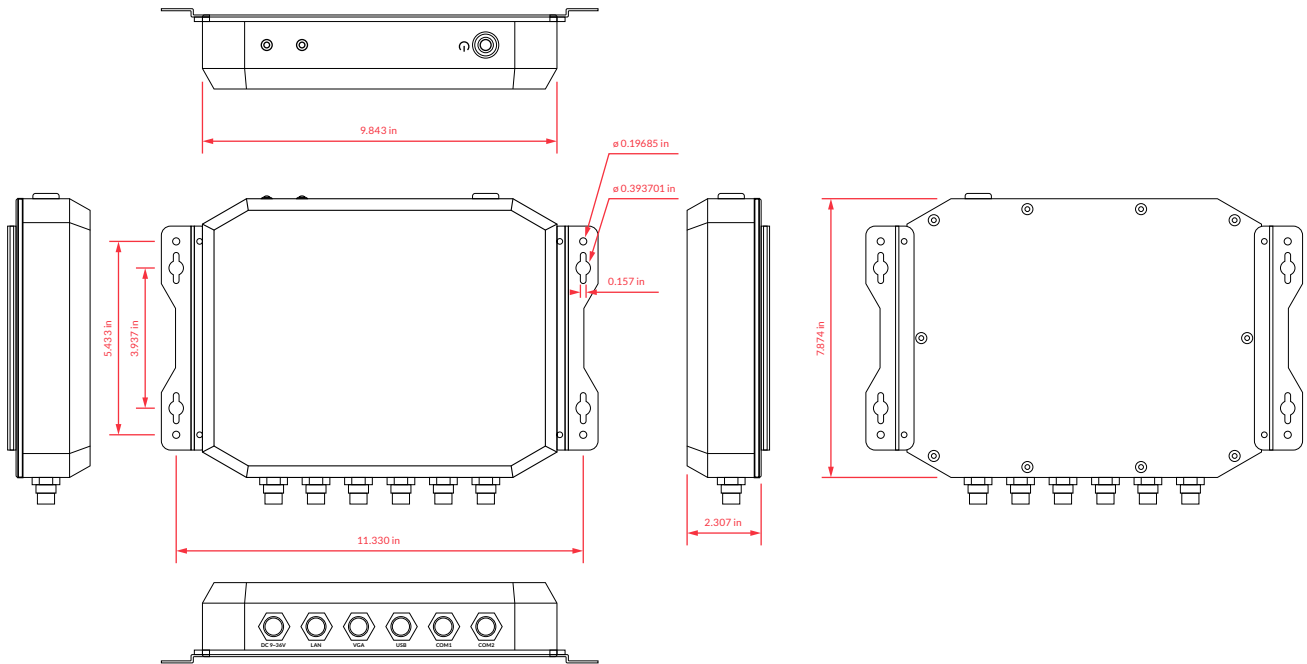
CE/FCC	Class A
--------	---------



# WATERPROOF PC

## INTEL 4-CORE 1.83GHz PROCESSOR

### Diagram





PantherQCS

# WATERPROOFPC

INTEL 4-CORE 1.83GHz PROCESSOR

## GIVE US A CALL TODAY

✉ [sales@panthersys.com](mailto:sales@panthersys.com)

📞 360-907-0488

📠 360-750-9783

📍 317 Columbia Street Vancouver WA 98660

